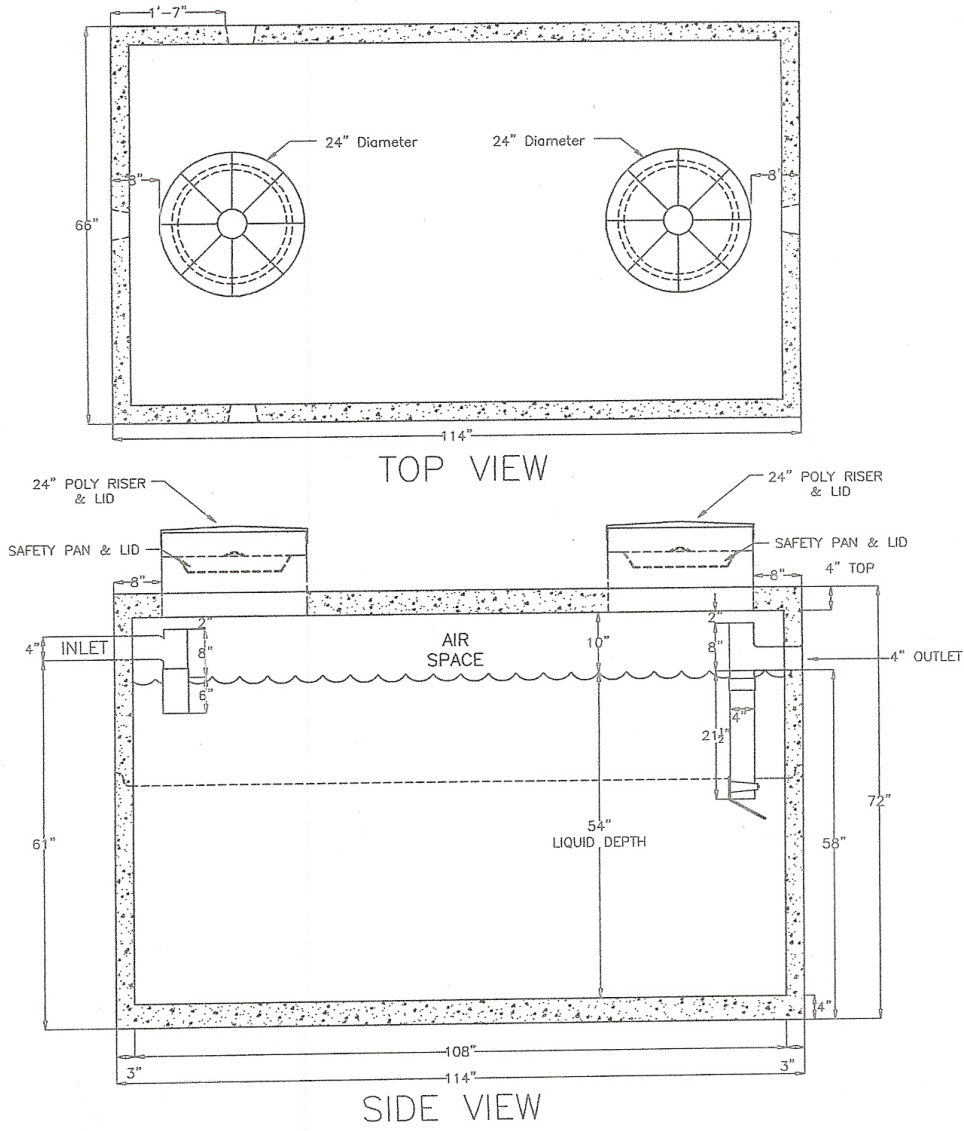




1541 S. County Road 450 E.  
Greencastle, IN 46135

1500 Gallon Septic



Phone: 765-653-6533 • Fax: 765-653-4007  
www.cashconcrete.com